

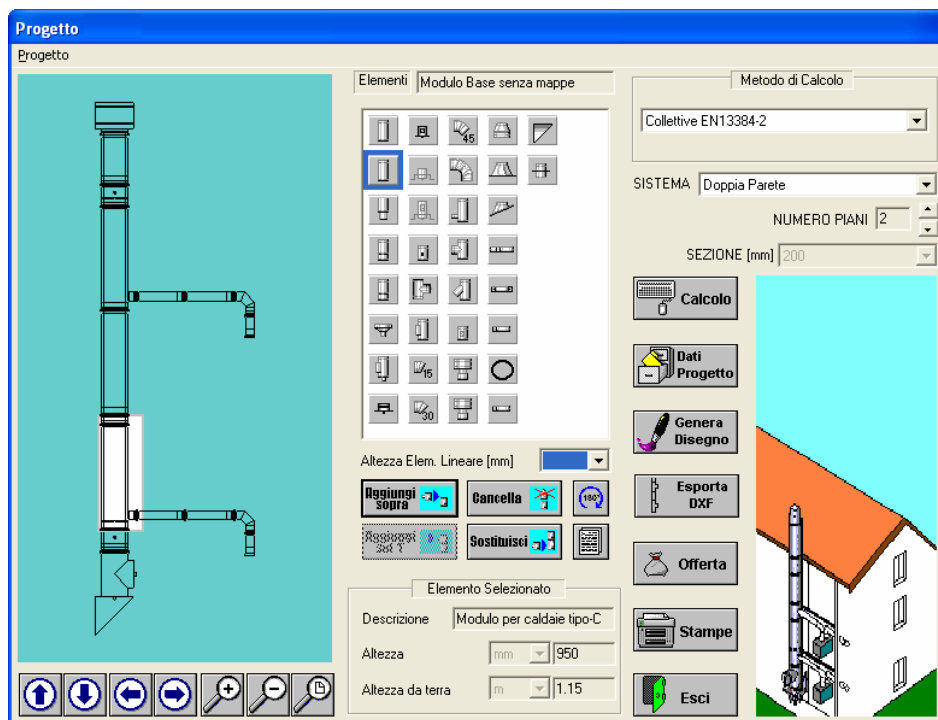


# ASTER GEN 2007

NEW GENERATION OF SOFTWARE for CHIMNEY SIZING CALCULATIONS, PLANT DESIGN, OFFER, CATALOGUE

## GENERAL CAPABILITIES

ASTER GEN is a software environment designed to afford in few minutes the whole cycle from chimney size calculation and choice to the presentation of the economical offer, in one project window including all the functionalities at a glance. The user, whatever his expertise level, can easily make calculations to choose the best chimney diameter for single or multiple system. Then from this information it is possible to draw automatically a chimney sketch including all the necessary components and accessories and get the detailed list of components. If required a catalogue section can be activated to show digital images of products and technical informations. **ASTER GEN is a unique tool to satisfy the needs of a company that has a technical department and a salesman network.** Simple approach and advanced functions live together in a powerful software.



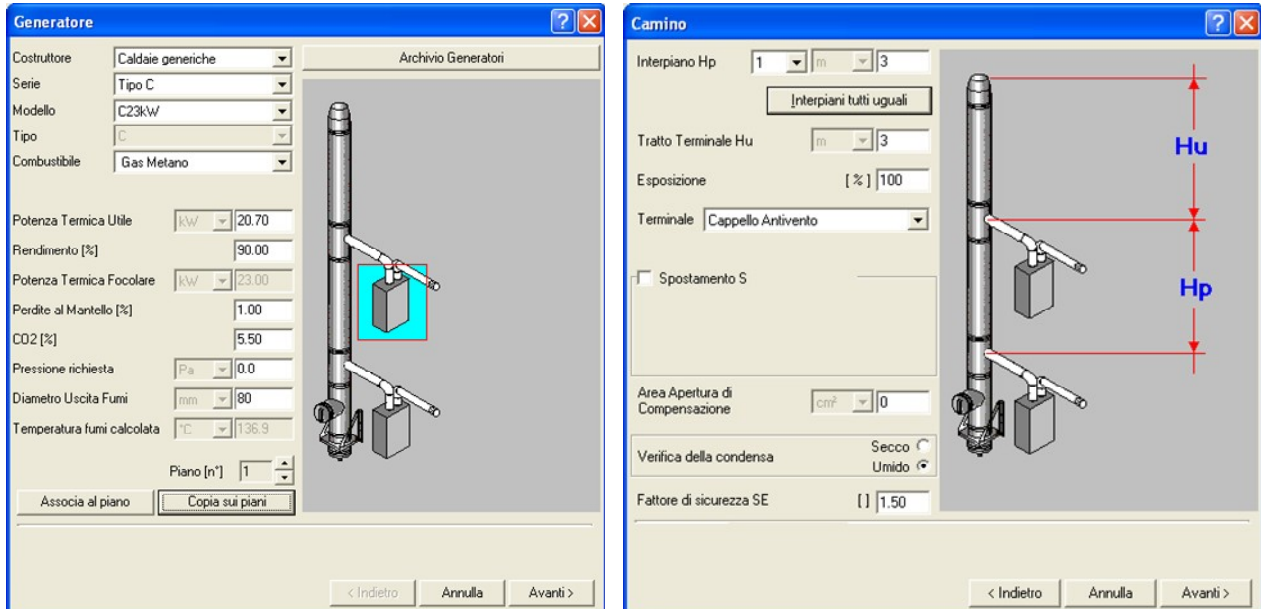
## MAIN technical FUNCTIONALITIES

- Project start up by selection of number of heat appliances, chimney system
- Calculation method compliant to EN 13384-1, 13384-2
- Automatic sketch drawing of chimney derived from stored configurations. Manual features to modify the basic drawing.
- Manual drawing by icons selection to load dxf files.
- List of elements derived from drawing, automatic offer generation.
- Print options: Calculation report, assembling sketch, Offer, Technical documents, terms and conditions
- Online Catalogue
- Customizable reports
- Multilanguage versions ( Italian, English, German, French, Spanish, Russian )
- Selectable Units
- ERP data exchange customizable on request



# ASTER GEN 2007

NEW GENERATION OF SOFTWARE for CHIMNEY SIZING CALCULATIONS, PLANT DESIGN, OFFER, CATALOGUE



## SYSTEM REQUIREMENTS

Intel PENTIUM or AMD based PC  
 SVGA monitor - 800x600  
 Microsoft Windows XP,2000,NT,'98 + Word or Word Viewer  
 100 MB HD, 128 MB Ram  
 Mouse, Printer

## INFORMATIONS REQUEST for ASTER GEN

COMPANY \_\_\_\_\_ MR./MRS. \_\_\_\_\_

ADDRESS \_\_\_\_\_ CITY \_\_\_\_\_ COUNTRY \_\_\_\_\_

TEL \_\_\_\_\_ FAX \_\_\_\_\_ e-mail \_\_\_\_\_

### REQUESTS:

- more technical info       telefon CALL       economic proposal for N. \_\_\_\_\_ License of Software  
 other to specify \_\_\_\_\_

Send to : +39.0365.551364 - info@sinapsi.net